

I-PRO SLUSH DISPENSER, 2 INSULATED 2.9 G. BOWLS, MECHANICAL, WITH UV LIGHTS AND LIGHTED PANEL



Ref562497 (IPRO2MUV)

I-PRO 2M UV with lighted panel, (2) 2.9 gallon insulated bowls,
Mechanical control and timer, UV lights, black finish - Refrigerant R449A

General Features

I-PRO 2 MECHANICAL with UV lights and lighted panel is a versatile slush machine with (2) 2.9 gallon (11L) I-Tank insulated bowls, mechanical control and LED-light front panel. Refrigerant R449A.

Every feature has been developed to create a professional, reliable and high-quality slush machine equipment thanks to the numerous patents and innovations.

This equipment has the I-Tank insulated tank as standard. The shape of the tanks, which work independently, guarantees a natural mixing effect for an optimal consistency of the product.

The look of this equipment is modern and eye-catching, thanks to the LED-light system that illuminates the product and attracts customers. The UV lights for bowl sanitisation increase hygiene and reduce cleaning operations.

The equipment can dispense: slushies, granitas, milkshakes and other frozen drinks.

I-PRO is an ideal slush machine for bars, amusement parks, fast food chains, kiosks, restaurants, water parks and much more.

I-PRO SLUSH DISPENSER, 2 INSULATED 2.9 G. BOWLS, MECHANICAL, WITH UV LIGHTS AND LIGHTED PANEL

Specifications

- I-PRO is an ideal slush machine for bars, amusement parks, motorway restaurants, fast food chains, kiosks, restaurants, water parks and much more.
- Thanks to the n-UV sanitizing system, this equipment is particularly suitable for dairy-based products.
- Versatile slush machine with two (2) 2.9 gallon/11L I-Tank insulated bowls

Construction

- The patented I-Tank insulated bowl reduces the impact of ambient temperature on the product, improving its cooling efficiency and guaranteeing energy and cost savings.
- The LED backlit frontal panel gives maximum visibility to the equipment.
- Exclusive n-UV LED system for bowl sanitation that reduces bacterial proliferation, ensuring a wholesome, high quality dispensed product.
- The mechanical control allows you to manually set the “production mode” and the “night mode”.
- Optional Autofill Lid System available: for the automatic filling of the tanks
- Bowls work independently, allowing operations to dispense different product at the same time, including: slushies, milkshakes, cold drinks and/or frozen cocktails

I-PRO SLUSH DISPENSER, 2 INSULATED 2.9 G. BOWLS, MECHANICAL, WITH UV LIGHTS AND LIGHTED PANEL

Electric

Supply voltage:	115 V / 1 ph / 60 Hz
Electrical power max.:	0.9 kW
Current consumption:	ISO 9001; ISO 14001 Amps
Plug type:	USA NEMA 5-15P

Key Information:

Number of bowls:	2
Bowl's capacity:	2.9 gal
Control board:	Mechanical
Dimensions, Width:	15 3/4"
Dimensions, Depth:	22 13/16"
Dimensions, Height:	34 1/4"
Net weight:	132 lb
Cooling system:	AIR

Refrigeration Data

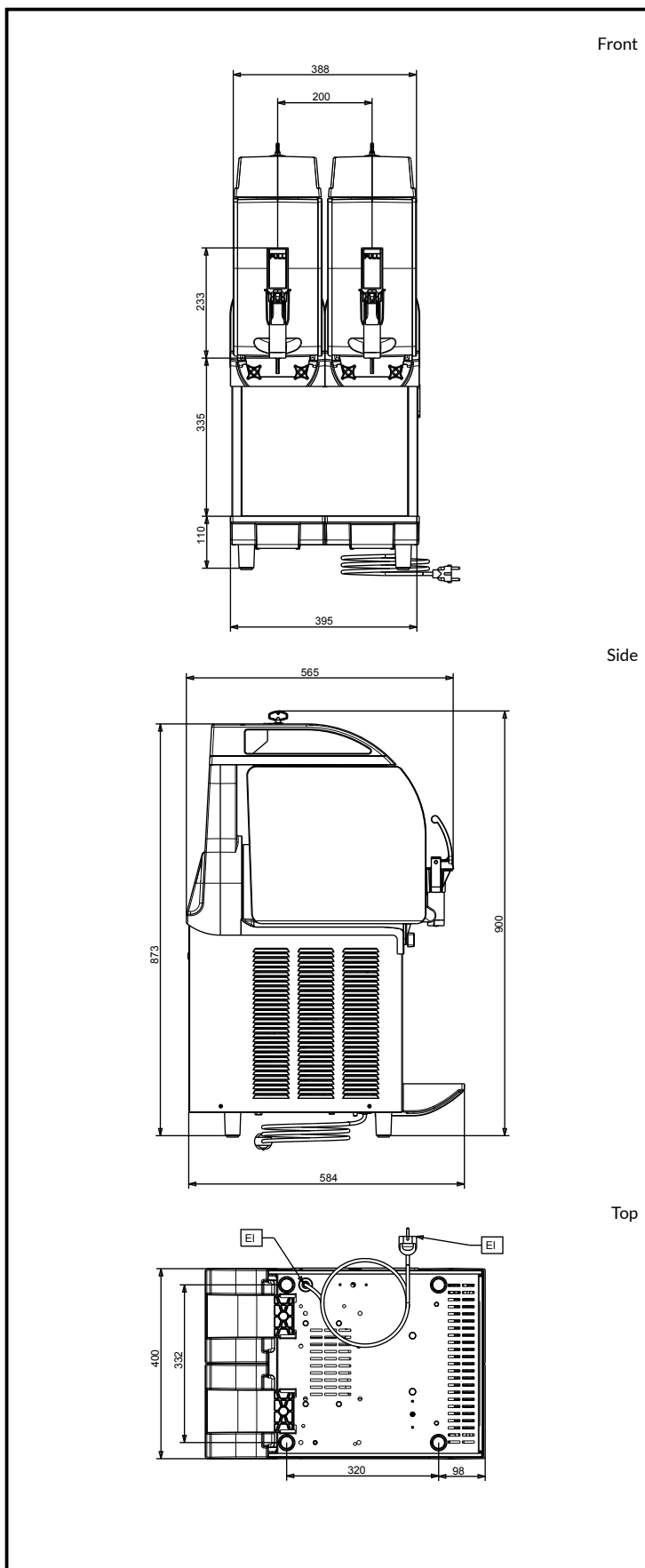
Refrigerant gas:	R449a
------------------	-------

Certifications



The company reserves the right to make modifications to the products without prior notice. All information correct at time of printing.

2024.10.08



CRATHCO

www.crathco.drink-systems.com
info@crathco@electroluxprofessional.com